

**SAFETY AIR BLOWOFF GUNS**

Nex Flow™ Blowoff Guns utilize the efficient and superior Nozzles and Jets to reduce compressed air consumption and noise levels with safety in mind.

**WHAT ARE THEY - REASONS TO USE**

Many low cost Air Guns are sold extensively but do not necessarily last. In addition, they are not all safe to use and may result in dangerous high dead end pressures.

Nex Flow™ safety air blowoff Guns are durable, safe, and comfortable to use incorporating our efficient Air Nozzles and Jets to produce high output air and “laminar” flow while minimizing compressed air use and noise levels.

The most important reason to use safety Air Guns with our Air Nozzles or Jets is safety. All Nex Flow™ Air Nozzles and Jets meet OSHA standard CFR 1910.242(b) for dead end pressure. Noise levels are dramatically lower with Air Nozzles and Jets in addition to lower energy use.

**SELECTION**

There are two types of Safety Air Blowoff Guns to choose from depending on the individual’s personal taste and comfort. See Nozzles and Jets for their technical details.



**EASY GRIP SAFETY GUN**



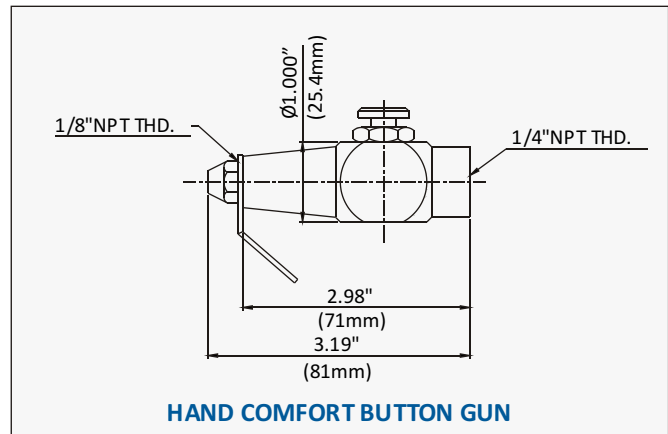
**HAND COMFORT BUTTON GUN**

Nex Flow™ removes the confusion from Air Jets and Nozzles. You do NOT need hundreds of different Nozzles. All air amplifying Nozzles produce air flows up to 25 times the compressed air consumed. Different Nozzles have different outlet sizes and the more air used, the greater the force produced. Noise reduction up to 10 dBA is typical as well as reduced air consumption when compared to open Jets and Tubes.

By maintaining a reasonable choice of Nozzles most valid applications can be addressed with our range.



**EASY GRIP SAFETY GUN**



**HAND COMFORT BUTTON GUN**



### Nex Flow offers OSHA Compliant Air Jets & Nozzles in Alum, Stianless and 316 SS



### EXTENSION TUBE AND RIGID FLEX HOSE

You can add an anodized aluminum Extension Tube or a Rigid Flex Hose to the Easy Grip Gun for extended reach. Tubes are available in 6", 12", 18", 24", and 36" lengths. The Rigid Flex Hose is available in 6" and 12" lengths.

### EASY GRIP SAFETY AIR GUN

PART NO.	DESCRIPTION
49000	Air Gun Only (no nozzle)
49003	Air Gun with 47003 aluminum nozzle
49003S	Air Gun with 47003S 303/304 stainless nozzle
49003S-316L	Air Gun with 47004 aluminum nozzle
49004S	Air Gun with 47004S 303/304 stainless nozzle
49004S-316L	Air Gun with 47004S-316L stainless nozzle
49009	Air Gun with 47009 adjustable aluminum nozzle
49009S	Air Gun with 47009S 303/304 adjustable stainless nozzle
49009S-316L	Air Gun with 47009S-316L adjustable stainless nozzle
49010	Air Gun with 47010 X-stream aluminum nozzle
49002X	Air Gun with 10002 X-stream 2" aluminum Air Blade air knife

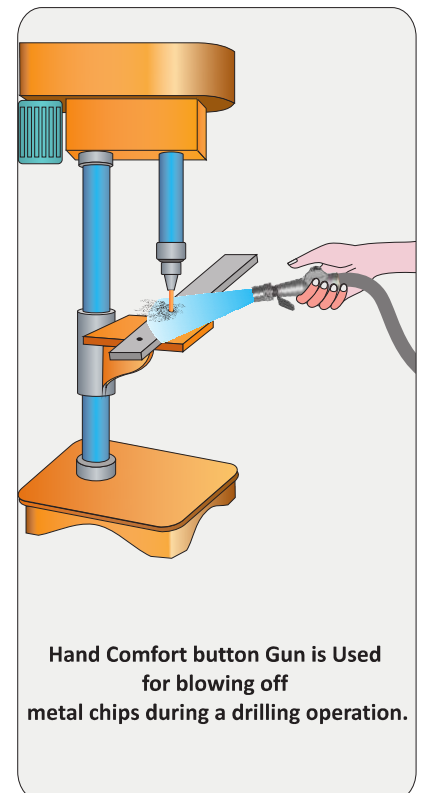


### EXTENSIONS FOR EASY GRIP SAFTEY AIR GUN

PART NO.	DESCRIPTION
49906	6" Extension
49912	12" Extension
49918	18" Extension
49924	24" Extension
49936	30" Extension

### HAND COMFORT BUTTON GUN

PART NO.	DESCRIPTION
49100	Air Gun Only (no nozzle)
49103	Air Gun with 47003 aluminum nozzle
49103S	Air Gun with 47003S 303/304 stainless nozzle
49103S-316L	Air Gun with 47003S-316L stainless nozzle
49109	Air Gun with 47009 adjustable aluminum nozzle
49109S	Air Gun with 47009S 303/304 adjustable stainless nozzle
49109S-316L	Air Gun with 47009S-316L adjustable stainless nozzle



Hand Comfort button Gun is Used for blowing off metal chips during a drilling operation.

SMART N CLEVER™ AIR GUNS



## X-STREAM™ HAND VAC

Use as a Blow Gun or as A Vacuum to Clean or Transfer Solid Material with no moving parts.

### WHAT ARE THEY - REASONS TO USE

The X-Stream™ hand vac is the low cost solution to a variety of industrial housekeeping applications. It is a blow gun, a vacuum gun, a collection system and a transfer system in one simple package.

The X-Stream™ hand vac is light weight die cast aluminum and uses less air than a normal blow gun. The amplified air flow is approximately 12 times the air consumption. It draws a vacuum at one end to produce a high vacuum for collection or transfer of materials. It is easily converted from a blow gun into a vacuum gun and back again.

In blowoff mode, the 1-1/4" (32 mm) diameter allows it to cover a much greater area than a small blow gun for faster cleaning and drying. It can also be used to transfer material over a long distance using a vacuum hose which can be supplied. In vacuum mode, it can be used to vacuum up debris if more appropriate than blowing air, and debris can be collected in an available reusable vacuum bag.

### X-STREAM™ HAND VAC FEATURES:

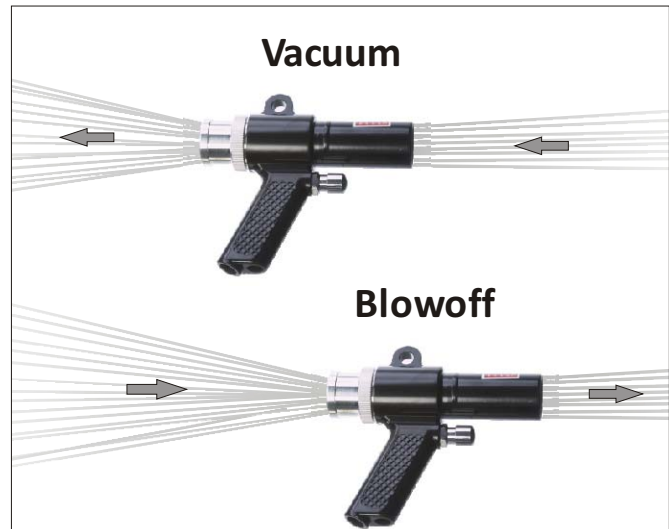
- ▶ No moving parts.
- ▶ Driven by air not electricity.
- ▶ Die Cast construction.
- ▶ Can switch from blowoff mode to vacuum in seconds
- ▶ Lightweight and portable
- ▶ No moving parts

### X-STREAM™ HAND VAC BENEFITS:

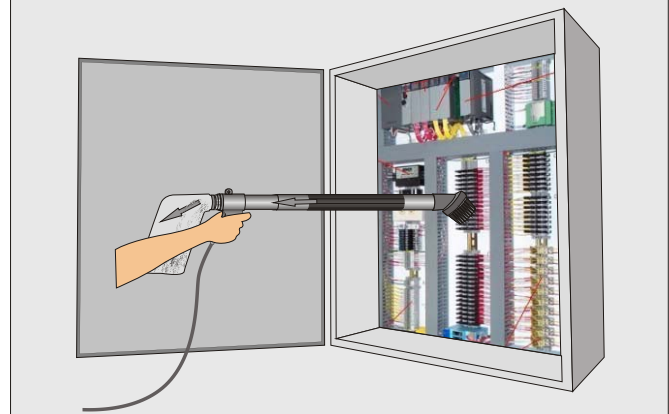
- ▶ Maintenance Free
- ▶ Safe and Long life
- ▶ Durable
- ▶ Flexible in use - vacuum or blowoff
- ▶ Ergonomic - comfortable to use
- ▶ Maintenance free

### APPLICATIONS:

- ▶ Clean machinery and controls
- ▶ Blowoff coolant, water, chips, scrap
- ▶ Vacuum sawdust and solid spills, shavings, waste
- ▶ Transfer small parts, trim, materials



Model 36011 Hand Vac collection system is used to clean & collect dust & dirt from inside a Control Panel.

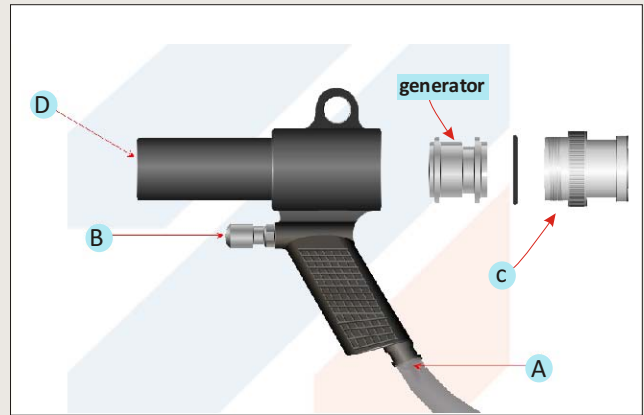


Model 36012 transfer system is used to move ball bearings from a bucket to a storage drum.



**X-STREAM™ HAND VAC - HOW IT WORKS**

X-Stream™ Hand Vac - Compressed air enters at point (A) and is allowed to flow into the Hand Vac using the trigger at point (B). Air either exits at point (C) for blow off or point (C) is a vacuum depending on the setup of the generator inside the Hand Vac. Similarly at point (D), air either enters (in blow off mode) or exits (vacuum mode). The generator inside can be reversed to change mode from blow off to vacuum and back again as required.



IN BLOW MODE THE X-STREAM™ HAND VAC CONSUMES LESS AIR THAN ORDINARY BLOW GUNS

**SPECIFICATIONS:**

The X-Stream™ Hand Vac uses only 13 SCFM (368 SLPM) at 80 PSIG (5.5 Bar) to produce a vacuum of - 29.5 inches water (-7 kPa) and produces a force of 9 ounces (255 grams). Standard inlet is ¼" NPT

**X-STREAM™ HAND VAC**

PART NO.	DESCRIPTION
36011	X-Stream™ Hand-Vac collection system
36012	X-Stream™ Hand-Vac transfer system
36013	X-Stream™ Hand-Vac all purpose system
36001	X-Stream™ Hand-Vac only

**ACCESSORIES**

PART NO.	DESCRIPTION
90001	Filter with auto drain
90005	Oil removal filter with auto drain



Model 36011 - Collection System consists of X-stream™ hand vac plus reusable collection bag, cleaning brush, crevice tool, skimmer tool, two extension wands, and stainless steel hose clamp



Model 36012 - Transfer System consists of X-stream™ hand vac plus 10 foot (3 m) vacuum hose with cuffs at both ends, cleaning brush, crevice tool, skimmer tool, two extension wands, and stainless steel hose clamp



Model 36013 - All Purpose System consists of X-stream™ hand vac plus 10 foot (3 m) vacuum hose with cuffs at both ends, reusable collection bag, cleaning brush, crevice tool, skimmer tool, two extension wands, and stainless steel hose clamp.